

DF77 (B597)

## DF77 (B597)

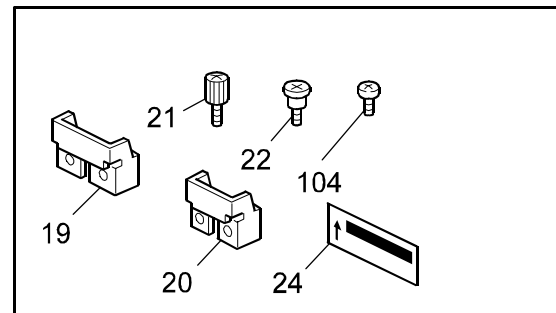
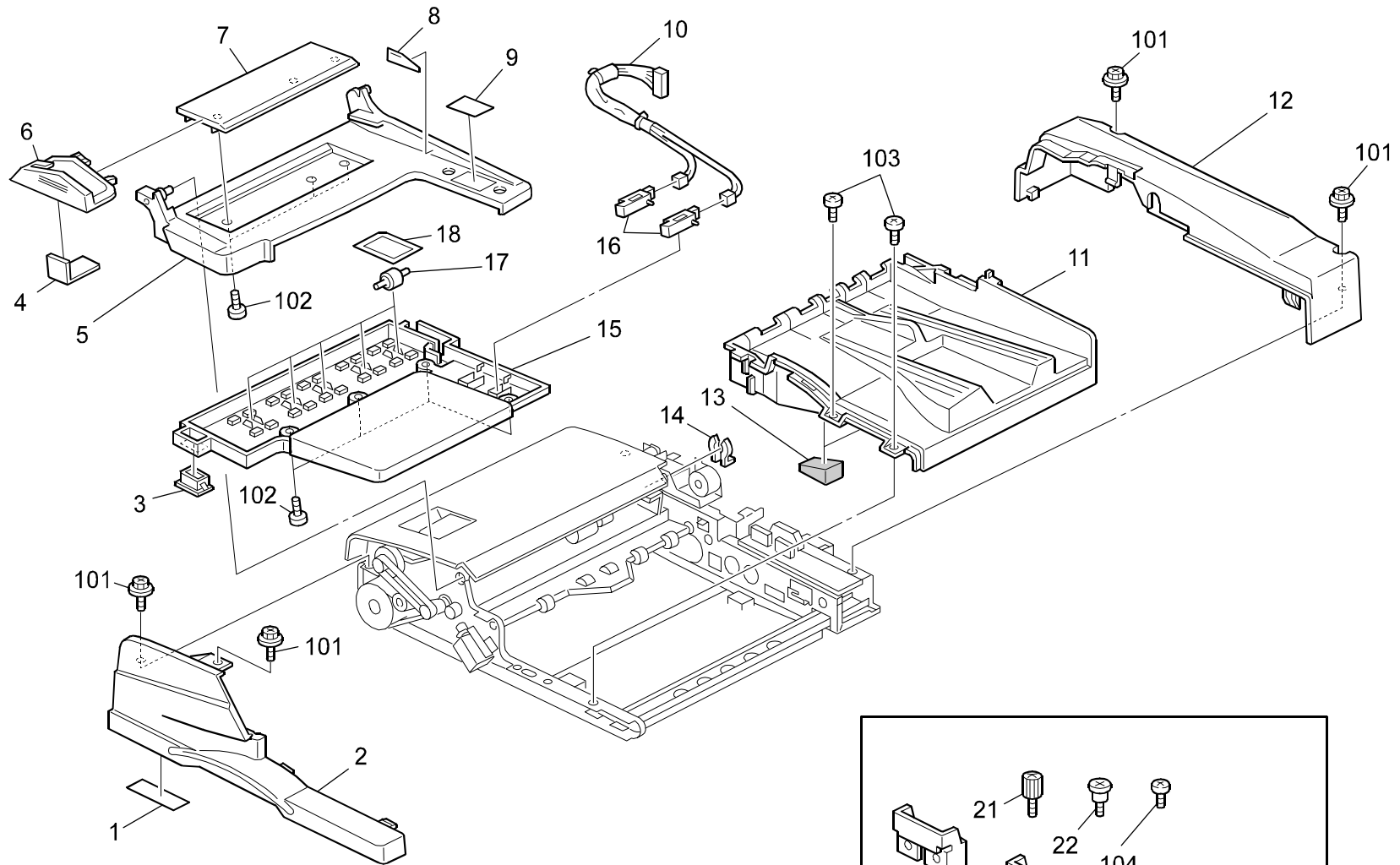
### PARTS CATALOG

This catalog gives the numbers and names of parts on this machine.

1.EXTERIOR (B597).....	2
2.ORIGINAL FEED 1 (B597) .....	4
3.ORIGINAL FEED 2 (B597) .....	6
4.ORIGINAL FEED 3 (B597) .....	8
5.TRANSFER SECTION 1 (B597).....	10
6.TRANSFER SECTION 2 (B597).....	12
7.DRIVE AND ELECTRICAL SECTION 1 (B597) .	14
8.DRIVE AND ELECTRICAL SECTION 2 (B597) .	16
9.FRAME SECTION (B597).....	18
10.DECAL AND DOCUMENT (B597).....	20
<b>PARTS INDEX .....</b>	<b>23</b>

October ,30 ' 2003

# 1.EXTERIOR (B597)

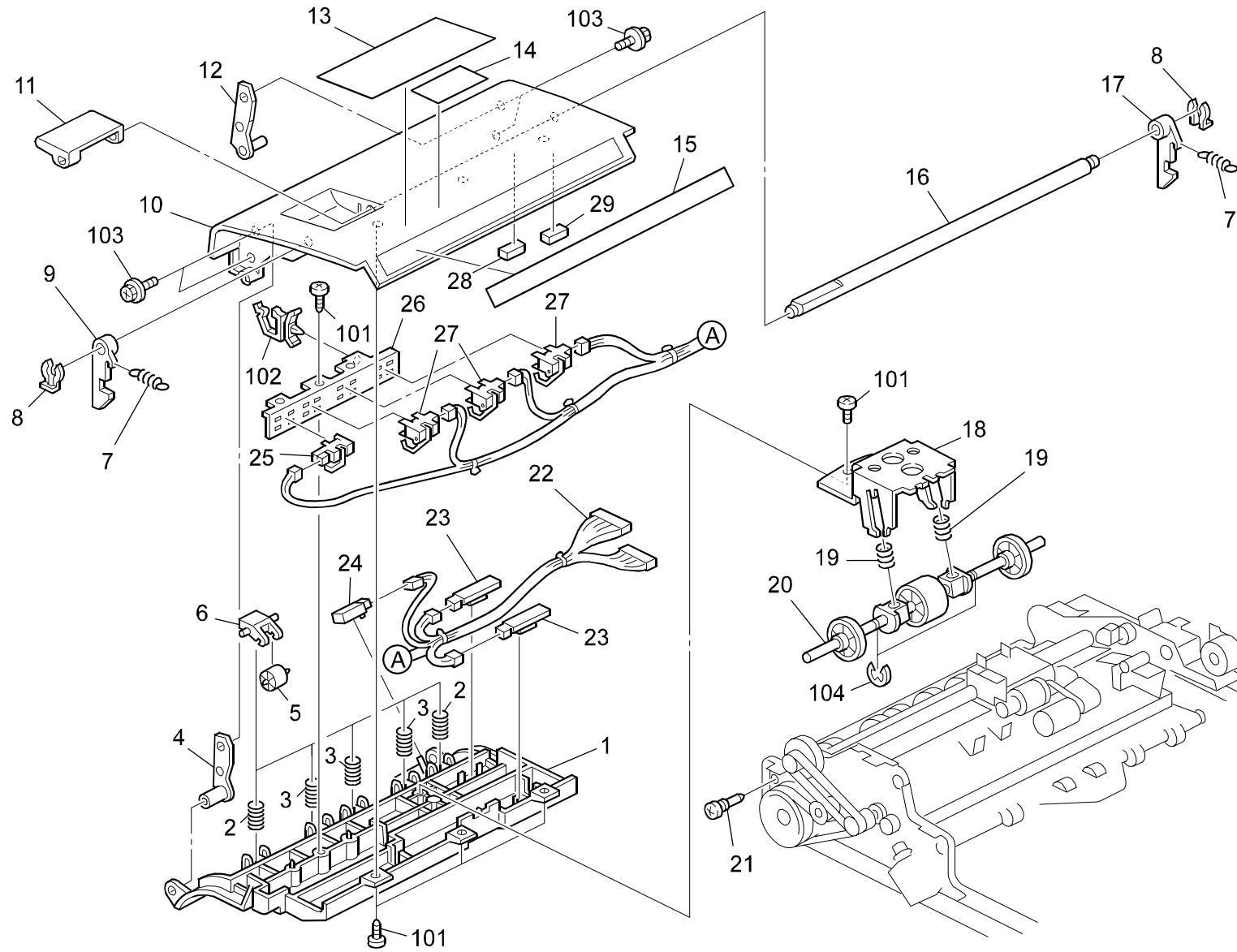


## 1.EXTERIOR (B597)

Index No.	Part No.	Description	Q'ty Per Assembly
1	G564 6041	Decal - Exit Misfeed Removal	1
2	G564 4212	Front Cover	1
3	B351 4135	Magnet Catch - Original Table	1
4	A376 4599	Side Fence Pad	1
5	B541 4123	Original Table	1
6	G564 4125	Side Fence	1
7	G564 4151	Rail - Side Fence	1
8	B386 6043	Decal - Side Fence	1
9	B541 6011	Decal:Display:Original Table	1
10	B541 5330	Harness:Connecting:Original Sensor	1
11	G564 4232	Exit Tray	1
12	G564 4222	Rear Cover	1
13	B597 4333	Cushion:Tape:Middle	1
14	5215 2621	Snap Ring - M6	1
15	B541 4133	Original Table:Behind	1
16	AW01 0087	Photo Sensor - Ass'y	2
17	A858 4671	Roller Driven	5
18	A858 4676	Spring Plate - Pressure Roller	5
19	G564 1231	Left Stopper Hinge	1
20	G564 1232	Right Stopper Hinge	1
21	A628 3115	Knob Screw - M4	1
22	A376 4911	Stepped Screw - Left Hinge	1
24	G564 6087	Decal:Exposure Glass:Machine or Copier: 5-lang	1

Index No.	Part No.	Description	Q'ty Per Assembly
101	0451 3008H	Tapping Screw - M3x8	
102	0452 3008B	Tapping Screw - M3x8	
103	0353 0050B	Philips Truss Head Screw - M3x5	
104	0951 4010B	Philips Screw With Washer - M4x10	

## 2.ORIGINAL FEED 1 (B597)



## 2.ORIGINAL FEED 1 (B597)

Index No.	Part No.	Description	Q'ty Per Assembly
1	B541 3115	Guide:Cover:Paper Feed	1
2	AA06 3858	Pressure Spring	2
3	AA06 3857	Pressure Spring	3
4	A680 1375	Front Fixing Bracket - Left Cover	1
5	B351 3182	Driven Roller	5
6	B351 3183	Holder - Driven Roller	5
7	AA06 0844	Tension Spring	2
8	5447 2681	Snap Ring	2
9	B351 4522	Front Lever - Top Cover	1
10	G564 4511	Paper Feed Cover	1
11	G564 4515	Grip - Cover	1
12	A680 1371	Rear Fixing Bracket - Left Cover	1
13	G564 6032	Decal - Misfeed Removal	1
14	G564 6077	Decal:Exposure Glass:5-lang	1
15	G564 6021	Decal - Original Size	1
16	B351 4512	Shaft - Lever	1
17	B351 4526	Rear Lever - Top Cover	1
18	B541 3171	Bracket:Pressure Plate:Pull Out	1
19	AA06 3856	Pressure Spring	2
20	B351 3141	Pull-out Roller	1
21	5446 2824	Screw - Duplex Guide Plate	1
22	B541 5310	Harness:Connecting:Registration	1
23	AW01 0091	Photo Reflection Sensor	2
24	AW01 0093	Photo Reflection Sensor - PS-17ND1	1
25	AW02 0095	Photointerruptor	1
26	B541 3165	Bracket:Paper Size Sensor	1
27	AW02 0104	Photointerruptor	3
28	B351 4536	Cushion - Paper Feed	1
29	B351 4538	Cushion - Pickup Roller Arm	1

Index No.	Part No.	Description	Q'ty Per Assembly
101	0452 3008B	Tapping Screw - M3x8	
102	1105 0516	Clamp	
103	0451 3010B	Tapping Screw - M3x10	
104	0720 0040B	Retaining Ring - M4	



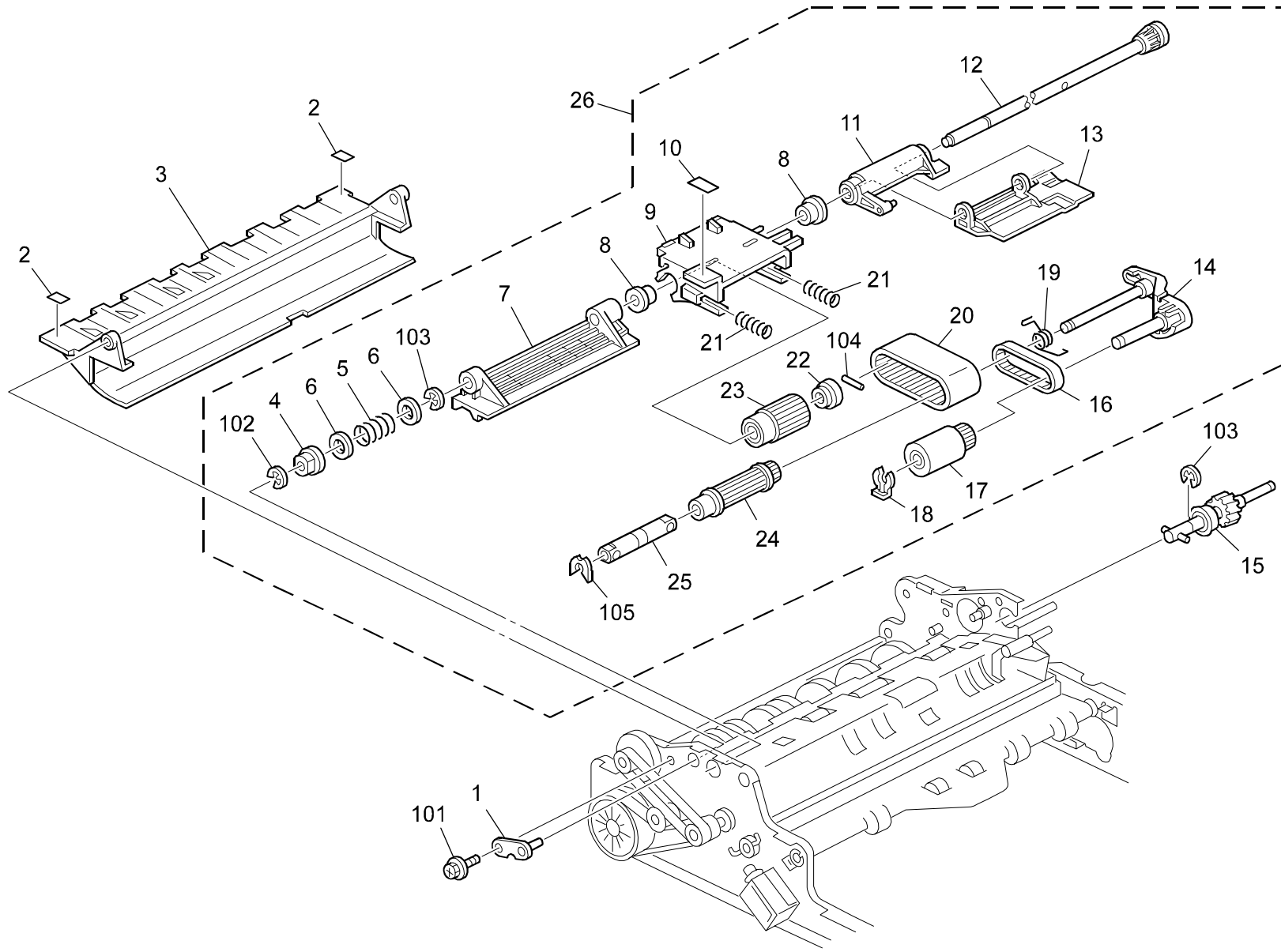
### 3.ORIGINAL FEED 2 (B597)

Index No.	Part No.	Description	Q'ty Per Assembly
1	B351 4142	Stopper - Original Table	1
2	5215 2621	Snap Ring - M6	1
3	B351 2511	Upper Guide - Paper Separation	1
4	5413 1882	Stepped Screw	1
5	B351 2561	Entrance Sheet - Separation	1
6	B351 2522	Cap:Guide:Separation:Upper	1
7	B351 2571	Sheet - Pick-up Roller	1
8	B351 2531	Stud - Original Sensor Feeler	1
9	B351 2541	Feeler - Original Sensor	1
10	5206 2686	Snap Ring	1
11	A680 3161	Driven Roller	5
12	B351 3932	Arm - Reverse Roller	5
13	B351 3933	Shaft - Reverse Roller	1
14	AA06 0849	Tension Spring	5
15	B541 3952	Bracket:Sensor:Reverse	1
16	AW01 0093	Photo Reflection Sensor - PS-17ND1	1
17	A859 2230	Ball Bearing - 6x13x5	2
18	B351 3822	Inverter Gate	1
19	B351 3827	Exit Guide	1
20	B351 3835	Discharge Brush - Exit	1
21	G564 3832	Guide Plate:Reverse:Outer	1
22	G564 3882	Drive Reverse Roller	1
23	5053 0447	Bushing - 6mm	1
24	5447 2681	Snap Ring	4
25	B351 3861	DC Solenoid Assembly	1
26	AA06 0848	Tension Spring	1
27	5446 2824	Screw - Duplex Guide Plate	1
28	B351 3825	Cushion - Inverter Gate	2
29	B541 1161	Stay:Paper Feed:Ass'y	1
30	AW02 0086	Photointerruptor	1
31	B351 2410	Shaft - Reverse Roller	1
32	A294 6700	Torque Limiter - 53mnm	1
33	<b>A859 2241</b>	<b>Reverse Roller</b>	<b>1</b>
34	A458 2251	Cushion - Bin Solenoid Lever	1
35	A376 1465	Feed Roller Bushing	1

Index No.	Part No.	Description	Q'ty Per Assembly
36	B351 2321	Pull Out Roller	1
37	AA06 0843	Tension Spring	1
38	B351 2311	Original Stopper	1
101	0451 3006B	Tapping Screw - M3x6	
102	1105 0516	Clamp	
103	0802 5276	Tapping Screw With Washer - M3x6	
104	0742 3808	Ball Bearing - 8x16x5	
105	1105 0514	Edge Saddle - EDS-0607I	
106	0720 0030B	Retaining Ring - M3	
107	0805 0088	Retaining Ring - M6	
108	0452 3008B	Tapping Screw - M3x8	
109	0451 3012B	Tapping Screw With Washer - M3x12	



# 4.ORIGINAL FEED 3 (B597)

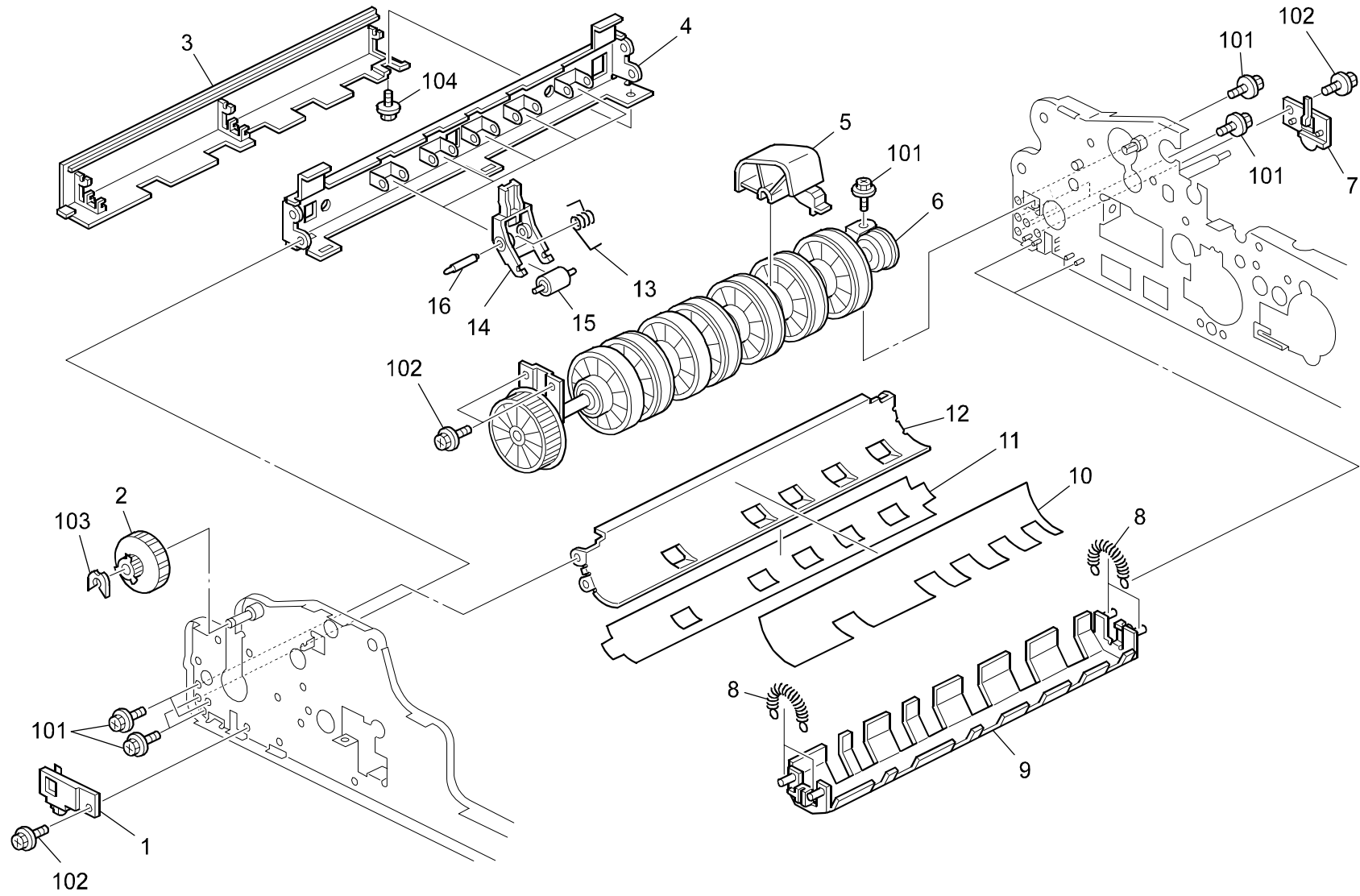


#### 4.ORIGINAL FEED 3 (B597)

Index No.	Part No.	Description	Q'ty Per Assembly
1	B541 1321	Stud:Contact Point:Guide:Ass'y	1
2	A054 2977	Decal - Vertical Transport Guide	2
3	B351 3195	Lower Guide Plate - Transport	1
4	5304 1639	Bushing - 8mm	1
5	AA06 3861	Pressure Spring	1
6	AA13 2013	Spacer	2
7	B351 2151	Front Guide - Paper Feed	1
8	A628 1225	Bushing - 8mm	2
9	B351 2252	Bracket:Paper Feed Belt	1
10	A858 6022	Decal Blue	1
11	B351 2131	Pick-up Lever	1
12	B351 2111	Shaft - Paper Feed	1
13	B351 2141	Rear Guide - Paper Feed	1
14	B351 2161	Arm - Pick-up Roller	1
15	B351 1741	Drive Gear - Paper Feed	1
16	AA04 3929	Timing Belt - B40S2M114	1
<b>17</b>	<b>B351 2126</b>	<b>Pickup Roller</b>	<b>1</b>
18	5447 2681	Snap Ring	1
19	AA06 6629	Tension Spring	1
<b>20</b>	<b>B351 2222</b>	<b>Paper Feed Belt</b>	<b>1</b>
21	AA06 3863	Pressure Spring	2
22	B351 2181	Bushing - 8mm	1
23	B351 2231	Timing Pulley - 36Z	1
24	B351 2242	Timing Pulley - 26/30Z	1
25	A680 1865	Shaft - Belt Guide Roller	1
26	B351 2010	Paper Feed Belt:Ass'y	1

Index No.	Part No.	Description	Q'ty Per Assembly
101	0802 5276	Tapping Screw With Washer - M3x6	
102	0720 0040B	Retaining Ring - M4	
103	0720 0060B	Retaining Ring - M6	
104	0632 0120G	Parallel Pin - 2x12	
105	0805 0089	Retaining Ring - M4	

# 5.TRANSFER SECTION 1 (B597)

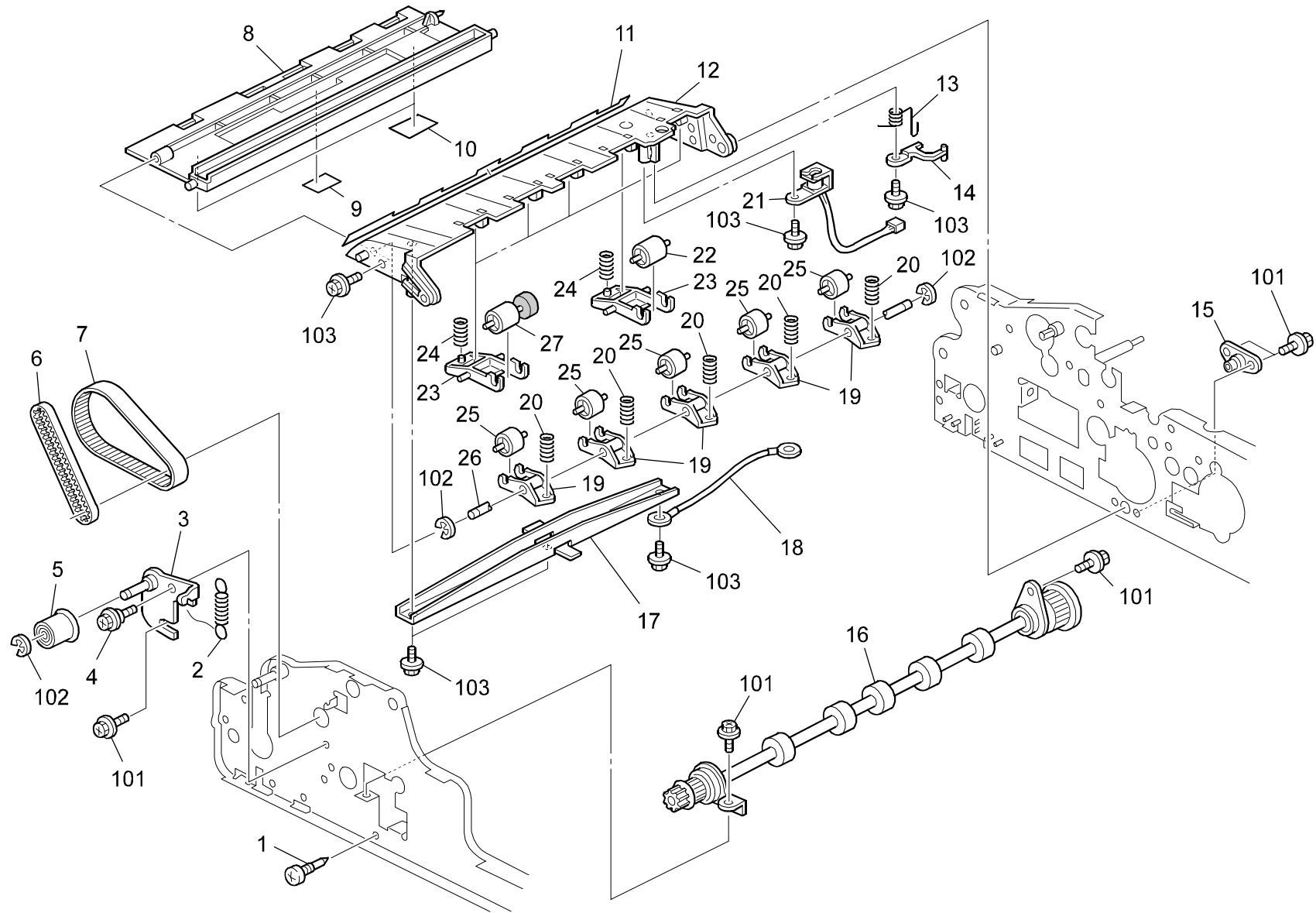


## 5.TRANSFER SECTION 1 (B597)

Index No.	Part No.	Description	Q'ty Per Assembly
1	B351 3322	Front Stopper - Scanning	1
2	B351 1965	Lever - Transport Roller	1
3	G564 4252	Lower Paper Feed Cover	1
4	B541 1131	Stay:Left:Ass'y	1
5	B351 3775	Roller Guide	1
6	B541 3351	Roller:Scanning	1
7	B351 3323	Rear Stopper - Scanning	1
8	AA06 0845	Tension Spring	2
9	B541 3311	Guide Plate:Scanning:Ass'y	1
10	B351 3335	Mylar - Transport Guide	1
11	B351 3338	Shield - Transport Guide	1
12	B541 3332	Guide Plate:Scanning:Outer	1
13	AA06 6630	Tension Spring	5
14	B351 1135	Arm - Driven Roller	5
15	B597 1136	Roller:Scanning:Front	5
16	B351 1137	Shaft - Driven Roller	5

Index No.	Part No.	Description	Q'ty Per Assembly
101	0451 3006B	Tapping Screw - M3x6	
102	0802 5276	Tapping Screw With Washer - M3x6	
103	0805 0089	Retaining Ring - M4	
104	0451 3008H	Tapping Screw - M3x8	

## 6.TRANSFER SECTION 2 (B597)

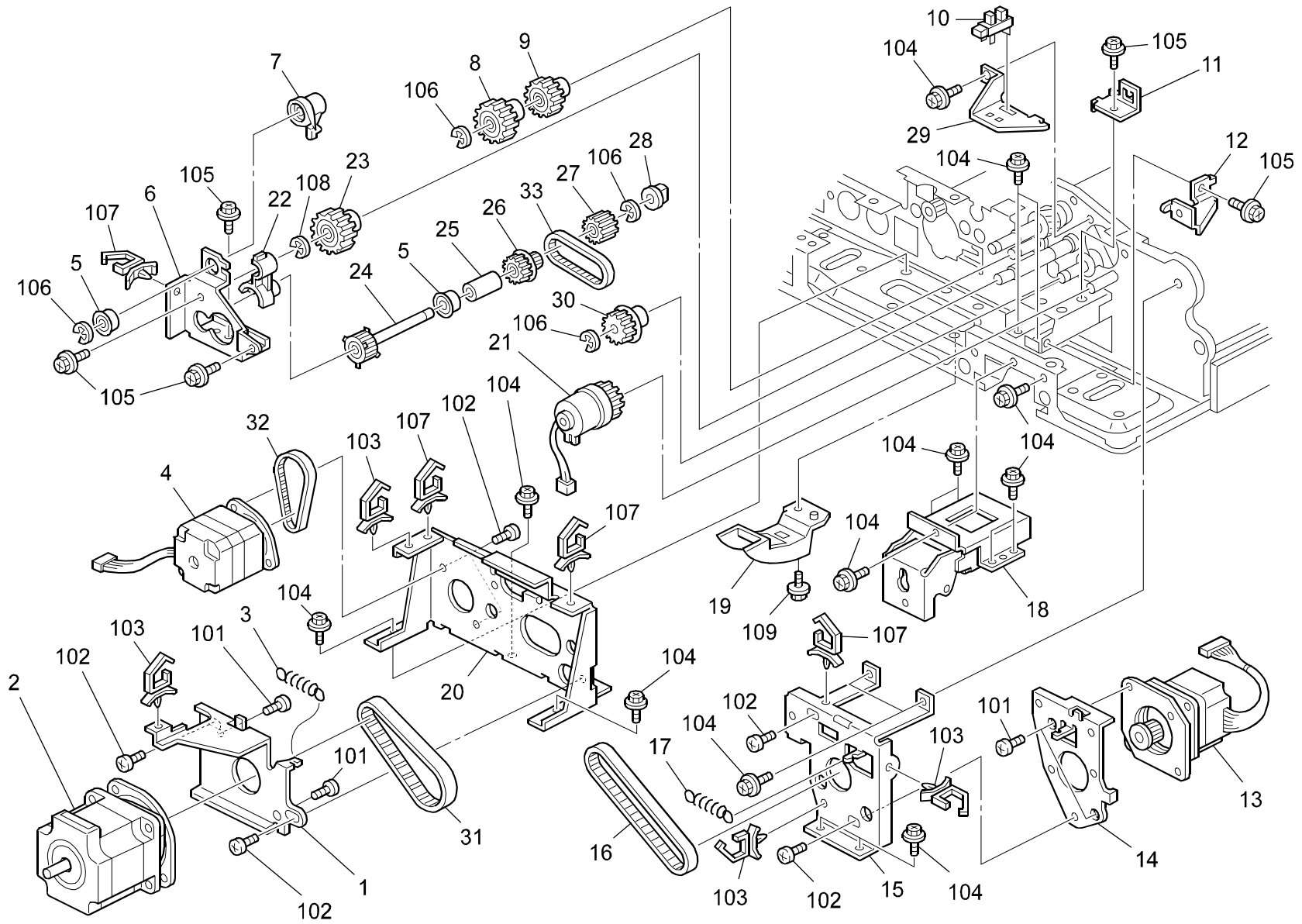


## 6.TRANSFER SECTION 2 (B597)

Index No.	Part No.	Description	Q'ty Per Assembly
1	5446 2824	Screw - Duplex Guide Plate	1
2	AA06 0846	Tension Spring	1
3	B541 1951	Bracket:Tightener:Scanning:Ass'y	1
4	A697 1125	Stepped Screw - Lever	1
5	B351 1942	Pulley - 20T	1
6	AA04 3920	Timing Belt - S3M264	1
7	AA04 3919	Timing Belt - B245ST1.5-10	1
8	B351 3617	Lower Guide - Exit Roller	1
9	G564 3621	Cushion - Lower Guide Plate M	1
10	G564 3622	Cushion - Lower Guide Plate	2
11	B351 3639	Guide Plate - Pressure Roller	1
12	B351 3612	Lower Exit Guide	1
13	AA06 6631	Tension Spring	1
14	B351 3791	Stopper - Stamp	1
15	B351 3613	Holder - Guide Plate	1
16	B541 3701	Roller:Exit:Drive	1
17	B541 3635	Supporting Plate:Paper Exit Unit:Lower:Ass'y	1
18	B541 5270	Harness:Earth:Paper Exit Unit	1
19	B351 3642	Arm - Pressure Roller	5
20	AA08 3859	Pressure Spring	5
21	H511 5006	Stamper	1
22	B351 3743	Driven Roller	1
23	B351 3632	Arm - Driven Roller - Exit	3
24	AA08 3860	Pressure Spring	3
25	B597 3752	Roller:Scanning:Rear	5
26	B351 3634	Shaft - Pressure Arm	1
27	B351 3640	Driven Roller - Sponge	2

Index No.	Part No.	Description	Q'ty Per Assembly
101	0451 3006B	Tapping Screw - M3x6	
102	0720 0030B	Retaining Ring - M3	
103	0450 3008B	Tapping Screw - M3x8	

# 7.DRIVE AND ELECTRICAL SECTION 1 (B597)



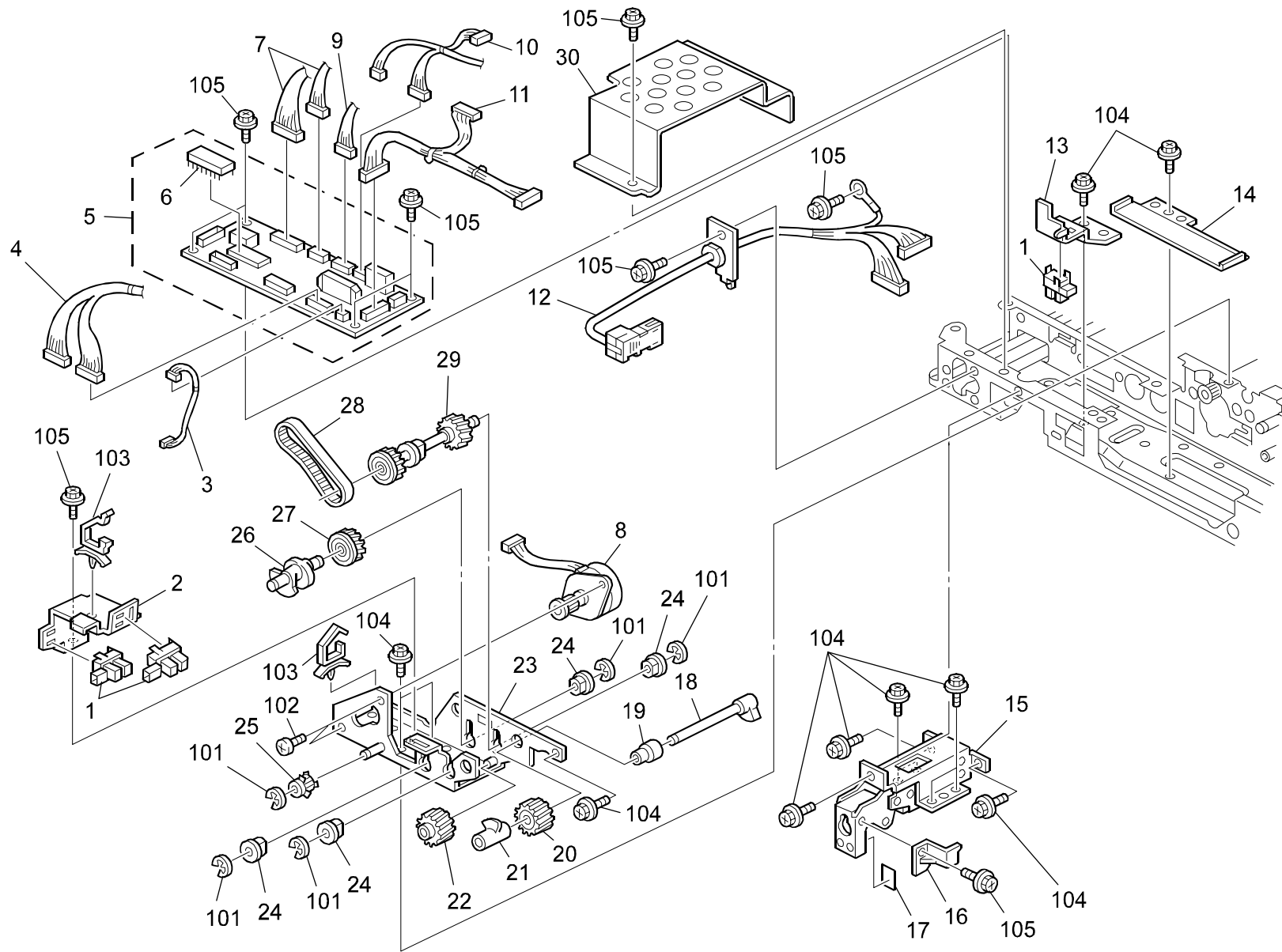
## 7.DRIVE AND ELECTRICAL SECTION 1 (B597)

Index No.	Part No.	Description	Q'ty Per Assembly
1	B541 1932	Bracket:Scanning:Link	1
2	G564 1921	Scanner Motor - 3.36W	1
3	AA06 0846	Tension Spring	1
4	B351 1971	Stepper Motor - Reverse - DC 1.4W	1
5	A859 2230	Ball Bearing - 6x13x5	2
6	B541 1611	Side Plate:Drive:Auxiliary	1
7	B351 1651	Stopper - Separation Shaft	1
8	B351 2431	Gear - 35Z	1
9	B351 2421	Gear - 28Z	1
10	AW02 0086	Photointerruptor	1
11	B541 1691	Stopper:Spring Clutch:Pull Out	1
12	B541 1146	Supporting Plate:Side Plate:Rear	1
13	B351 1811	Feed Motor - Dc10w	1
14	B541 1641	Stay:Motor:Paper Feed	1
15	B541 1621	Bracket:Motor:Paper Feed	1
16	AA04 3914	Timing Belt - B60S2M252	1
17	AA06 0842	Tension Spring	1
18	B541 1211	Hinge:Left:Ass'y	1
19	B351 1196	Sensor Feeler	1
20	B541 1912	Bracket:Motor:Scanning:Reverse	1
21	AX20 0213	Magnetic Clutch - Z30	1
22	B351 1626	Stopper - Gear	1
23	B351 1731	Gear - 28Z	1
24	B351 1711	Timing Pulley - 30Z	1
25	G564 1717	Spacer - Paper Feed Drive	1
26	G564 1721	Gear - Z19/T16	1
27	B351 1722	Gear - 18Z	1
28	5053 0447	Bushing - 6mm	1
29	B541 1335	Bracket:Sensor:Paper Feed	1
30	B351 2331	Timing Pulley - 32Z	1
31	AA04 3937	Timing Belt - B134ST1.5-10.0	1
32	AA04 3938	Timing Belt - B40S2M148	1
33	AA04 3936	Timing Belt - B40S2M102	1

Index No.	Part No.	Description	Q'ty Per Assembly
101	0354 0050B	Bind Screw - M4x5	
102	0353 0050B	Philips Truss Head Screw - M3x5	
103	1105 0487	Harness Clamp	
104	0802 5276	Tapping Screw With Washer - M3x6	
105	0451 3006B	Tapping Screw - M3x6	
106	0720 0040B	Retaining Ring - M4	
107	1105 0516	Clamp	
108	0720 0060B	Retaining Ring - M6	
109	0451 3008H	Tapping Screw - M3x8	



# 8.DRIVE AND ELECTRICAL SECTION 2 (B597)

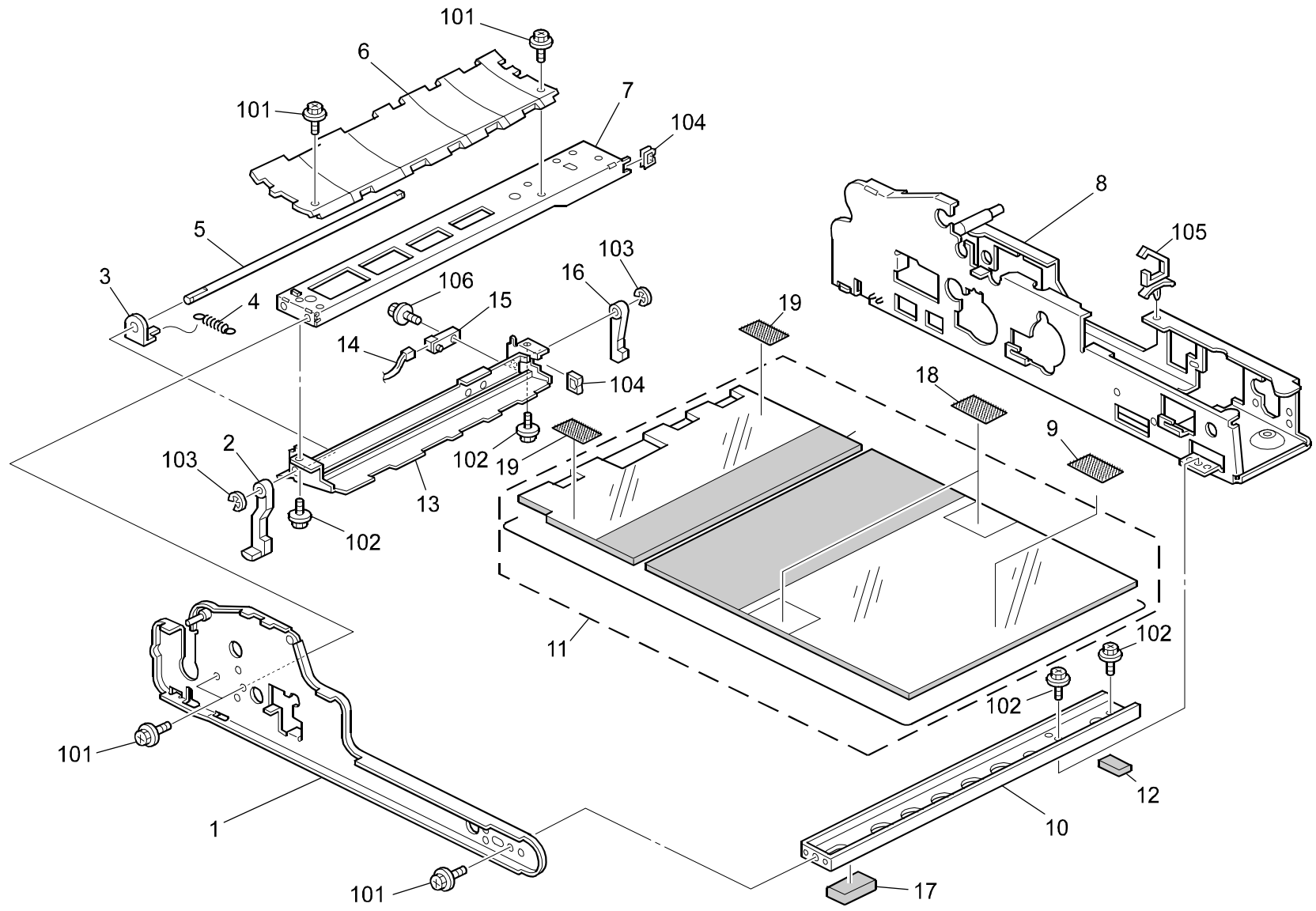


## 8.DRIVE AND ELECTRICAL SECTION 2 (B597)

Index No.	Part No.	Description	Q'ty Per Assembly
1	AW02 0086	Photointerruptor	3
2	B541 1671	Bracket:Photointerruptor:Stopper:Paper Feed	1
3	B541 5230	Harness:Sensor:Lift-up	1
4	B541 5340	Harness:Sensor:Registration	1
5	B597 5100	PCB:Main Control	1
6	B597 5620	EPROM:Main Control	1
7	B541 5220	Harness:Sensor:Original Sensor	1
8	AX04 0096	Stepping Motor - DC 18W	1
9	B541 5260	Harness:Solenoid:Stamp	1
10	B541 5250	Harness:Motor:Pick Up	1
11	B541 5240	Harness:Motor:Paper Feed	1
12	B597 5821	Harness - Interface Ass'y	1
13	B541 1192	Bracket:Sensor:Open And Close	1
14	B541 1181	Bracket:Guide:Harness	1
15	B541 1221	Hinge:Right:Ass'y	1
16	A859 1841	Filter - DF Open Sensor	1
17	A334 4678	Rack Shield Mylar	1
18	B351 1751	Cam - Pick-up Roller	1
19	A548 2343	Clutch Stopper	1
20	A680 2261	Gear - 24Z	1
21	B351 1756	Actuator - Pick-up Roller	1
22	B351 1781	Gear - 18Z	1
23	B541 1661	Bracket:Pickup:Drive:Ass'y	1
24	5053 0447	Bushing - 6mm	4
25	A680 2241	Pulley - 18T	1
26	B351 1761	Cam - Paper Feed	1
27	B351 1791	Gear - 25Z	1
28	AA04 3916	Timing Belt - B40S2M212	1
29	A680 2251	Gear - 17Z	1
30	B597 1351	Bracket:PCB	1

Index No.	Part No.	Description	Q'ty Per Assembly
101	0720 0040B	Retaining Ring - M4	
102	0353 0050B	Philips Truss Head Screw - M3x5	
103	1105 0516	Clamp	
104	0802 5276	Tapping Screw With Washer - M3x6	
105	0451 3006B	Tapping Screw - M3x6	

# 9.FRAME SECTION (B597)


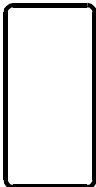
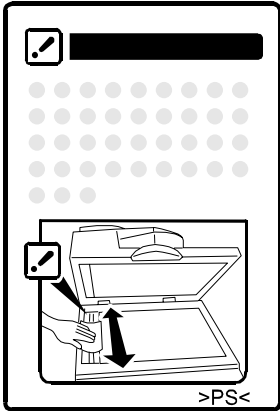
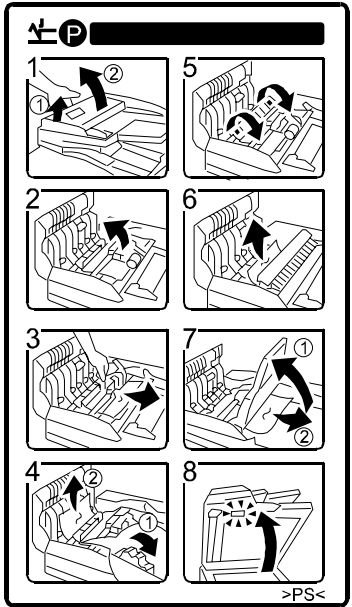
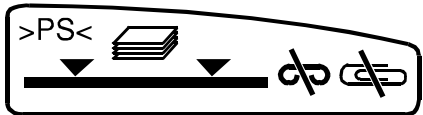
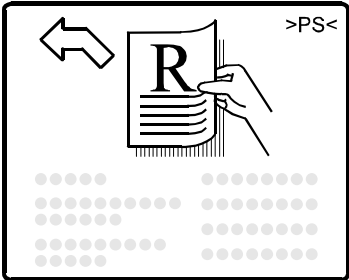
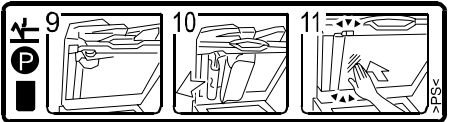
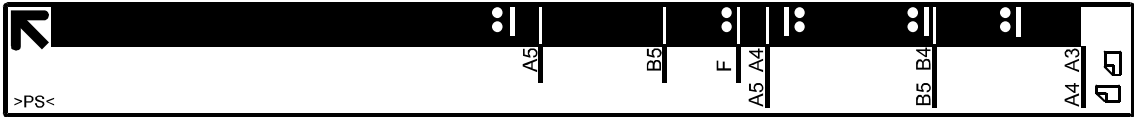


## 9.FRAME SECTION (B597)

Index No.	Part No.	Description	Q'ty Per Assembly
1	B541 1111	Side Plate:Front:Ass'y	1
2	B351 3666	Front Hook - Paper Exit	1
3	B541 3649	Anchor:Spring:Hook	1
4	AA06 0850	Tension Spring	1
5	B351 3663	Shaft - Lock Lever	1
6	B541 3912	Guide Plate:Reverse:Lower	1
7	B541 1142	Stay:Middle	1
8	B541 1121	Side Plate:Rear:Ass'y	1
9	B351 4322	Tape - Platen Sheet	1
10	B541 1153	Right Stay	1
11	B597 4311	Pressure Plate:Ass'y	1
12	G564 3631	Rear Right Cushion - P Cover	1
13	B541 3721	Guide Plate:Exit:Upper:Welding	1
14	B541 5320	Harness:Connecting:Exit	1
15	AW01 0093	Photo Reflection Sensor - PS-17ND1	1
16	B351 3669	Rear Hook - Paper Exit	1
17	B597 3632	Cushion:Pressure Plate:Right:T8	1
18	B597 4333	Cushion:Tape:Middle	2
19	B597 4326	Cushion:Tape:Left	2

Index No.	Part No.	Description	Q'ty Per Assembly
101	0451 3006B	Tapping Screw - M3x6	
102	0802 5276	Tapping Screw With Washer - M3x6	
103	0720 0030B	Retaining Ring - M3	
104	1105 0514	Edge Saddle - EDS-0607I	
105	1105 0487	Harness Clamp	
106	0451 3012B	Tapping Screw With Washer - M3x12	

# 10.DECAL AND DOCUMENT (B597)

<p>1</p> 	<p>2</p> 	<p>3</p> 	<p>7</p> 
<p>4</p> 		<p>5</p> 	<p>8</p> 
<p>6</p> 			

### 10.DECAL AND DOCUMENT (B597)

Index No.	Part No.	Description	Q'ty Per Assembly
1	A054 2977	Decal - Vertical Transport Guide	1
2	A858 6022	Decal Blue	1
3	B386 6043	Decal - Side Fence	1
4	B541 6011	Decal:Display:Original Table	1
5	G564 6021	Decal - Original Size	1
6	G564 6032	Decal - Misfeed Removal	1
7	G564 6041	Decal - Exit Misfeed Removal	1
8	G564 6077	Decal:Exposure Glass:5-lang	1
9	G564 6087	Decal:Exposure Glass:Machine or Copier: 5-lang	1

Index No.	Part No.	Description	Q'ty Per Assembly

# Parts Index

## PM Parts Index

Section Name	Part No.	Description in Service Manual	Description in Parts Catalog	Q'ty Per Assembly	Page and Index No.
ORIGINAL FEED 2 (B597)	A859 2241	Reverse Roller	Reverse Roller	1	7- 33
ORIGINAL FEED 3 (B597)	B351 2126	Pickup Roller	Pickup Roller	1	9- 17
	B351 2222	Paper Feed Belt	Paper Feed Belt	1	9- 20



## Parts Index

Part No.	Description	Page and Index No.
B597 1136	Roller:Scanning:Front	11 - 15
B597 1351	Bracket:PCB	17 - 30
B597 3632	Cushion:Pressure Plate:Right:T8	19 - 17
B597 3752	Roller:Scanning:Rear	13 - 25
B597 4311	Pressure Plate:Ass'y	19 - 11
B597 4326	Cushion:Tape:Left	19 - 19
B597 4333	Cushion:Tape:Middle	19 - 18
B597 4333	Cushion:Tape:Middle	3 - 13
B597 5100	PCB:Main Control	17 - 5
B597 5620	EPROM:Main Control	17 - 6
B597 5821	Harness - Interface Ass'y	17 - 12

Part No.	Description	Page and Index No.
A054 2977	Decal - Vertical Transport Guide	21 - 1
A054 2977	Decal - Vertical Transport Guide	9 - 2
A294 6700	Torque Limiter - 53mnm	7 - 32
A334 4678	Rack Shield Mylar	17 - 17
A376 1465	Feed Roller Bushing	7 - 35
A376 4599	Side Fence Pad	3 - 4
A376 4911	Stepped Screw - Left Hinge	3 - 22
A458 2251	Cushion - Bin Solenoid Lever	7 - 34
A548 2343	Clutch Stopper	17 - 19
A628 1225	Bushing - 8mm	9 - 8
A628 3115	Knob Screw - M4	3 - 21
A680 1371	Rear Fixing Bracket - Left Cover	5 - 12
A680 1375	Front Fixing Bracket - Left Cover	5 - 4
A680 1865	Shaft - Belt Guide Roller	9 - 25
A680 2241	Pulley - 18T	17 - 25
A680 2251	Gear - 17Z	17 - 29
A680 2261	Gear - 24Z	17 - 20
A680 3161	Driven Roller	7 - 11
A697 1125	Stepped Screw - Lever	13 - 4
A858 4671	Roller Driven	3 - 17
A858 4676	Spring Plate - Pressure Roller	3 - 18
A858 6022	Decal Blue	21 - 2
A858 6022	Decal Blue	9 - 10
A859 1841	Filter - DF Open Sensor	17 - 16
A859 2230	Ball Bearing - 6x13x5	15 - 5
A859 2230	Ball Bearing - 6x13x5	7 - 17
A859 2241	Reverse Roller	7 - 33
B351 1135	Arm - Driven Roller	11 - 14
B351 1137	Shaft - Driven Roller	11 - 16
B351 1196	Sensor Feeler	15 - 19
B351 1626	Stopper - Gear	15 - 22
B351 1651	Stopper - Separation Shaft	15 - 7
B351 1711	Timing Pulley - 30Z	15 - 24
B351 1722	Gear - 18Z	15 - 27
B351 1731	Gear - 28Z	15 - 23

Part No.	Description	Page and Index No.
B351 1741	Drive Gear - Paper Feed	9 - 15
B351 1751	Cam - Pick-up Roller	17 - 18
B351 1756	Actuator - Pick-up Roller	17 - 21
B351 1761	Cam - Paper Feed	17 - 26
B351 1781	Gear - 18Z	17 - 22
B351 1791	Gear - 25Z	17 - 27
B351 1811	Feed Motor - Dc10w	15 - 13
B351 1942	Pulley - 20T	13 - 5
B351 1965	Lever - Transport Roller	11 - 2
B351 1971	Stepper Motor - Reverse - DC 1.4W	15 - 4
B351 2010	Paper Feed Belt:Ass'y	9 - 26
B351 2111	Shaft - Paper Feed	9 - 12
B351 2126	Pickup Roller	9 - 17
B351 2131	Pick-up Lever	9 - 11
B351 2141	Rear Guide - Paper Feed	9 - 13
B351 2151	Front Guide - Paper Feed	9 - 7
B351 2161	Arm - Pick-up Roller	9 - 14
B351 2181	Bushing - 8mm	9 - 22
B351 2222	Paper Feed Belt	9 - 20
B351 2231	Timing Pulley - 36Z	9 - 23
B351 2242	Timing Pulley - 26/30Z	9 - 24
B351 2252	Bracket:Paper Feed Belt	9 - 9
B351 2311	Original Stopper	7 - 38
B351 2321	Pull Out Roller	7 - 36
B351 2331	Timing Pulley - 32Z	15 - 30
B351 2410	Shaft - Reverse Roller	7 - 31
B351 2421	Gear - 28Z	15 - 9
B351 2431	Gear - 35Z	15 - 8
B351 2511	Upper Guide - Paper Separation	7 - 3
B351 2522	Cap:Guide:Separation:Upper	7 - 6
B351 2531	Stud - Original Sensor Feeler	7 - 8
B351 2541	Feeler - Original Sensor	7 - 9
B351 2561	Entrance Sheet - Separation	7 - 5
B351 2571	Sheet - Pick-up Roller	7 - 7
B351 3141	Pull-out Roller	5 - 20

Part No.	Description	Page and Index No.
B351 3182	Driven Roller	5 - 5
B351 3183	Holder - Driven Roller	5 - 6
B351 3195	Lower Guide Plate - Transport	9 - 3
B351 3322	Front Stopper - Scanning	11 - 1
B351 3323	Rear Stopper - Scanning	11 - 7
B351 3335	Mylar - Transport Guide	11 - 10
B351 3338	Shield - Transport Guide	11 - 11
B351 3612	Lower Exit Guide	13 - 12
B351 3613	Holder - Guide Plate	13 - 15
B351 3617	Lower Guide - Exit Roller	13 - 8
B351 3632	Arm - Driven Roller - Exit	13 - 23
B351 3634	Shaft - Pressure Arm	13 - 26
B351 3639	Guide Plate - Pressure Roller	13 - 11
B351 3640	Driven Roller - Sponge	13 - 27
B351 3642	Arm - Pressure Roller	13 - 19
B351 3663	Shaft - Lock Lever	19 - 5
B351 3666	Front Hook - Paper Exit	19 - 2
B351 3669	Rear Hook - Paper Exit	19 - 16
B351 3743	Driven Roller	13 - 22
B351 3775	Roller Guide	11 - 5
B351 3791	Stopper - Stamp	13 - 14
B351 3822	Inverter Gate	7 - 18
B351 3825	Cushion - Inverter Gate	7 - 28
B351 3827	Exit Guide	7 - 19
B351 3835	Discharge Brush - Exit	7 - 20
B351 3861	DC Solenoid Assembly	7 - 25
B351 3932	Arm - Reverse Roller	7 - 12
B351 3933	Shaft - Reverse Roller	7 - 13
B351 4135	Magnet Catch - Original Table	3 - 3
B351 4142	Stopper - Original Table	7 - 1
B351 4322	Tape - Platen Sheet	19 - 9
B351 4512	Shaft - Lever	5 - 16
B351 4522	Front Lever - Top Cover	5 - 9
B351 4526	Rear Lever - Top Cover	5 - 17
B351 4536	Cushion - Paper Feed	5 - 28

Part No.	Description	Page and Index No.
B351 4538	Cushion - Pickup Roller Arm	5 - 29
B386 6043	Decal - Side Fence	21 - 3
B386 6043	Decal - Side Fence	3 - 8
B541 1111	Side Plate:Front:Ass'y	19 - 1
B541 1121	Side Plate:Rear:Ass'y	19 - 8
B541 1131	Stay:Left:Ass'y	11 - 4
B541 1142	Stay:Middle	19 - 7
B541 1146	Supporting Plate:Side Plate:Rear	15 - 12
B541 1153	Right Stay	19 - 10
B541 1161	Stay:Paper Feed:Ass'y	7 - 29
B541 1181	Bracket:Guide:Harness	17 - 14
B541 1192	Bracket:Sensor:Open And Close	17 - 13
B541 1211	Hinge:Left:Ass'y	15 - 18
B541 1221	Hinge:Right:Ass'y	17 - 15
B541 1321	Stud:Contact Point:Guide:Ass'y	9 - 1
B541 1335	Bracket:Sensor:Paper Feed	15 - 29
B541 1611	Side Plate:Drive:Auxiliary	15 - 6
B541 1621	Bracket:Motor:Paper Feed	15 - 15
B541 1641	Stay:Motor:Paper Feed	15 - 14
B541 1661	Bracket:Pickup:Drive:Ass'y	17 - 23
B541 1671	Bracket:Photointerruptor:Stopper:Paper Feed	17 - 2
B541 1691	Stopper:Spring Clutch:Pull Out	15 - 11
B541 1912	Bracket:Motor:Scanning:Reverse	15 - 20
B541 1932	Bracket:Scanning:Link	15 - 1
B541 1951	Bracket:Tightener:Scanning:Ass'y	13 - 3
B541 3115	Guide:Cover:Paper Feed	5 - 1
B541 3165	Bracket:Paper Size Sensor	5 - 26
B541 3171	Bracket:Pressure Plate:Pull Out	5 - 18
B541 3311	Guide Plate:Scanning:Ass'y	11 - 9
B541 3332	Guide Plate:Scanning:Outer	11 - 12
B541 3351	Roller:Scanning	11 - 6
B541 3635	Supporting Plate:Paper Exit Unit:Lower:Ass'y	13 - 17
B541 3649	Anchor:Spring:Hook	19 - 3
B541 3701	Roller:Exit:Drive	13 - 16
B541 3721	Guide Plate:Exit:Upper:Welding	19 - 13

Part No.	Description	Page and Index No.
B541 3912	Guide Plate:Reverse:Lower	19 - 6
B541 3952	Bracket:Sensor:Reverse	7 - 15
B541 4123	Original Table	3 - 5
B541 4133	Original Table:Behind	3 - 15
B541 5220	Harness:Sensor:Original Sensor	17 - 7
B541 5230	Harness:Sensor:Lift-up	17 - 3
B541 5240	Harness:Motor:Paper Feed	17 - 11
B541 5250	Harness:Motor:Pick Up	17 - 10
B541 5260	Harness:Solenoid:Stamp	17 - 9
B541 5270	Harness:Earth:Paper Exit Unit	13 - 18
B541 5310	Harness:Connecting:Registration	5 - 22
B541 5320	Harness:Connecting:Exit	19 - 14
B541 5330	Harness:Connecting:Original Sensor	3 - 10
B541 5340	Harness:Sensor:Registration	17 - 4
B541 6011	Decal:Display:Original Table	3 - 9
B541 6011	Decal:Display:Original Table	21 - 4
G564 1231	Left Stopper Hinge	3 - 19
G564 1232	Right Stopper Hinge	3 - 20
G564 1717	Spacer - Paper Feed Drive	15 - 25
G564 1721	Gear - Z19/T16	15 - 26
G564 1921	Scanner Motor - 3.36W	15 - 2
G564 3621	Cushion - Lower Guide Plate M	13 - 9
G564 3622	Cushion - Lower Guide Plate	13 - 10
G564 3631	Rear Right Cushion - P Cover	19 - 12
G564 3832	Guide Plate:Reverse:Outer	7 - 21
G564 3882	Drive Reverse Roller	7 - 22
G564 4125	Side Fence	3 - 6
G564 4151	Rail - Side Fence	3 - 7
G564 4212	Front Cover	3 - 2
G564 4222	Rear Cover	3 - 12
G564 4232	Exit Tray	3 - 11
G564 4252	Lower Paper Feed Cover	11 - 3
G564 4511	Paper Feed Cover	5 - 10
G564 4515	Grip - Cover	5 - 11
G564 6021	Decal - Original Size	5 - 15

Part No.	Description	Page and Index No.
G564 6021	Decal - Original Size	21 - 5
G564 6032	Decal - Misfeed Removal	21 - 6
G564 6032	Decal - Misfeed Removal	5 - 13
G564 6041	Decal - Exit Misfeed Removal	21 - 7
G564 6041	Decal - Exit Misfeed Removal	3 - 1
G564 6077	Decal:Exposure Glass:5-lang	5 - 14
G564 6077	Decal:Exposure Glass:5-lang	21 - 8
G564 6087	Decal:Exposure Glass:Machine or Copier:	3 - 24
G564 6087	Decal:Exposure Glass:Machine or Copier:	21 - 9
H511 5006	Stamper	13 - 21

Part No.	Description	Page and Index No.
AA04 3914	Timing Belt - B60S2M252	15 - 16
AA04 3916	Timing Belt - B40S2M212	17 - 28
AA04 3919	Timing Belt - B245ST1.5-10	13 - 7
AA04 3920	Timing Belt - S3M264	13 - 6
AA04 3929	Timing Belt - B40S2M114	9 - 16
AA04 3936	Timing Belt - B40S2M102	15 - 33
AA04 3937	Timing Belt - B134ST1.5-10.0	15 - 31
AA04 3938	Timing Belt - B40S2M148	15 - 32
AA06 0842	Tension Spring	15 - 17
AA06 0843	Tension Spring	7 - 37
AA06 0844	Tension Spring	5 - 7
AA06 0845	Tension Spring	11 - 8
AA06 0846	Tension Spring	13 - 2
AA06 0846	Tension Spring	15 - 3
AA06 0848	Tension Spring	7 - 26
AA06 0849	Tension Spring	7 - 14
AA06 0850	Tension Spring	19 - 4
AA06 3856	Pressure Spring	5 - 19
AA06 3857	Pressure Spring	5 - 3
AA06 3858	Pressure Spring	5 - 2
AA06 3861	Pressure Spring	9 - 5
AA06 3863	Pressure Spring	9 - 21
AA06 6629	Tension Spring	9 - 19
AA06 6630	Tension Spring	11 - 13
AA06 6631	Tension Spring	13 - 13
AA08 3859	Pressure Spring	13 - 20
AA08 3860	Pressure Spring	13 - 24
AA13 2013	Spacer	9 - 6
AW01 0087	Photo Sensor - Ass'y	3 - 16
AW01 0091	Photo Reflection Sensor	5 - 23
AW01 0093	Photo Reflection Sensor - PS-17ND1	7 - 16
AW01 0093	Photo Reflection Sensor - PS-17ND1	5 - 24
AW01 0093	Photo Reflection Sensor - PS-17ND1	19 - 15
AW02 0086	Photointerruptor	15 - 10
AW02 0086	Photointerruptor	7 - 30

Part No.	Description	Page and Index No.
AW02 0086	Photointerruptor	17 - 1
AW02 0095	Photointerruptor	5 - 25
AW02 0104	Photointerruptor	5 - 27
AX04 0096	Stepping Motor - DC 18W	17 - 8
AX20 0213	Magnetic Clutch - Z30	15 - 21

Part No.	Description	Page and Index No.
0353 0050B	Philips Truss Head Screw - M3x5	3 -103
0353 0050B	Philips Truss Head Screw - M3x5	17 -102
0353 0050B	Philips Truss Head Screw - M3x5	15 -102
0354 0050B	Bind Screw - M4x5	15 -101
0450 3008B	Tapping Screw - M3x8	13 -103
0451 3006B	Tapping Screw - M3x6	19 -101
0451 3006B	Tapping Screw - M3x6	17 -105
0451 3006B	Tapping Screw - M3x6	15 -105
0451 3006B	Tapping Screw - M3x6	7 -101
0451 3006B	Tapping Screw - M3x6	13 -101
0451 3006B	Tapping Screw - M3x6	11 -101
0451 3008H	Tapping Screw - M3x8	15 -109
0451 3008H	Tapping Screw - M3x8	11 -104
0451 3008H	Tapping Screw - M3x8	3 -101
0451 3010B	Tapping Screw - M3x10	5 -103
0451 3012B	Tapping Screw With Washer - M3x12	7 -109
0451 3012B	Tapping Screw With Washer - M3x12	19 -106
0452 3008B	Tapping Screw - M3x8	7 -108
0452 3008B	Tapping Screw - M3x8	3 -102
0452 3008B	Tapping Screw - M3x8	5 -101
0632 0120G	Parallel Pin - 2x12	9 -104
0720 0030B	Retaining Ring - M3	19 -103
0720 0030B	Retaining Ring - M3	7 -106
0720 0030B	Retaining Ring - M3	13 -102
0720 0040B	Retaining Ring - M4	5 -104
0720 0040B	Retaining Ring - M4	9 -102
0720 0040B	Retaining Ring - M4	17 -101
0720 0040B	Retaining Ring - M4	15 -106
0720 0060B	Retaining Ring - M6	9 -103
0720 0060B	Retaining Ring - M6	15 -108
0742 3808	Ball Bearing - 8x16x5	7 -104
0802 5276	Tapping Screw With Washer - M3x6	19 -102
0802 5276	Tapping Screw With Washer - M3x6	17 -104
0802 5276	Tapping Screw With Washer - M3x6	9 -101
0802 5276	Tapping Screw With Washer - M3x6	15 -104

Part No.	Description	Page and Index No.
0802 5276	Tapping Screw With Washer - M3x6	7 -103
0802 5276	Tapping Screw With Washer - M3x6	11 -102
0805 0088	Retaining Ring - M6	7 -107
0805 0089	Retaining Ring - M4	9 -105
0805 0089	Retaining Ring - M4	11 -103
0951 4010B	Philips Screw With Washer - M4x10	3 -104
1105 0487	Harness Clamp	15 -103
1105 0487	Harness Clamp	19 -105
1105 0514	Edge Saddle - EDS-0607I	7 -105
1105 0514	Edge Saddle - EDS-0607I	19 -104
1105 0516	Clamp	15 -107
1105 0516	Clamp	5 -102
1105 0516	Clamp	7 -102
1105 0516	Clamp	17 -103

Part No.	Description	Page and Index No.
5053 0447	Bushing - 6mm	7 - 23
5053 0447	Bushing - 6mm	15 - 28
5053 0447	Bushing - 6mm	17 - 24
5206 2686	Snap Ring	7 - 10
5215 2621	Snap Ring - M6	7 - 2
5215 2621	Snap Ring - M6	3 - 14
5304 1639	Bushing - 8mm	9 - 4
5413 1882	Stepped Screw	7 - 4
5446 2824	Screw - Duplex Guide Plate	5 - 21
5446 2824	Screw - Duplex Guide Plate	7 - 27
5446 2824	Screw - Duplex Guide Plate	13 - 1
5447 2681	Snap Ring	7 - 24
5447 2681	Snap Ring	9 - 18
5447 2681	Snap Ring	5 - 8